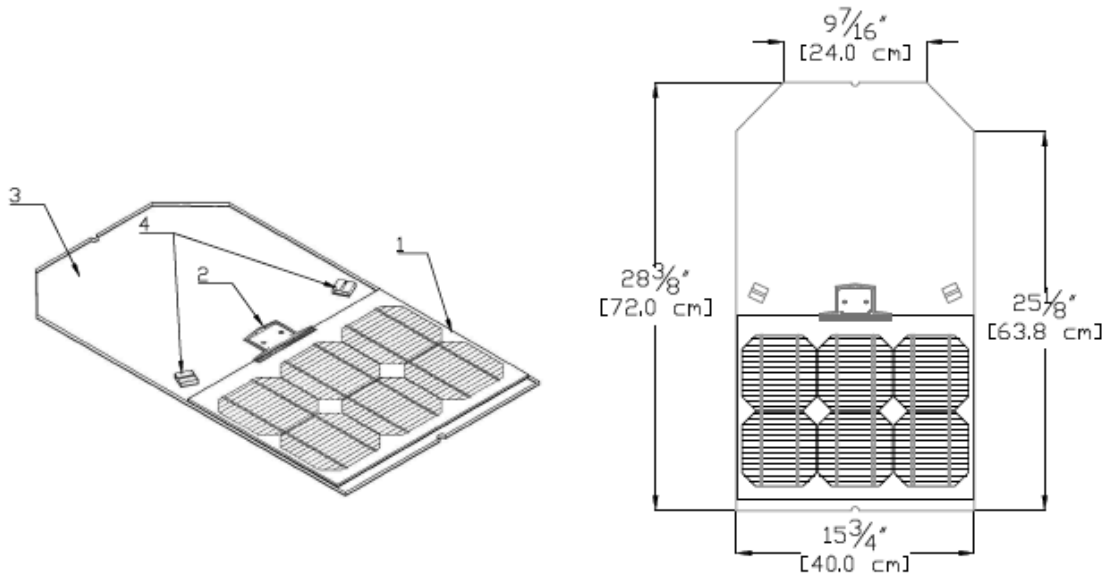


Module Physical Characteristics



Sunslates5™ are composed of:

1. Solar Module
2. Connection Box
3. Eternit Fiber Cement Roofing Slate
4. Wire Clips

Exposed Surface	15 3/4" x 12" (40.0 cm x 30.5 cm)
Total Sunslates/ 100 ft ²	75 Sunslates/ 100 ft ²
Powered Sunslates/ 100 ft ²	66 Powered Sunslates/ 100 ft ²
Weight/ Sunslate	9.4 lbs. (4.26 kg)
Sunslate Weight/100 ft ²	705 lbs (320 kg)/ 100 ft ²



Module Electrical Characteristics

The electrical characteristics are within $\pm 5\%$ of the indicated values of I_{sc} , V_{oc} and P_{max} under Standard Test Conditions (STC)¹. Depending on ambient conditions, time of day, time of year, and shading, Sunslates5™ may produce more current and/or voltage than reported at STC. Accordingly, the rated values of I_{sc} and V_{oc} should be multiplied by a factor of 1.25 when determining component voltage ratings, conductor ampacities, fuse size and the size of controls connected to the PV output.

Note: All characteristics are at Standard Test Conditions (STC)

Model	SS125GM
Power	15 Watts
I_{sc}	5.48 ADC
V_{oc}	3.78 VDC
I_{MPP}	5.08 ADC
V_{MPP}	2.95 VDC

This product adheres to UL Standard 1703 and is CEC listed. All module components rated for 600 VDC. Do not exceed module maximum voltage rating of 600 VDC.



Roofing Material Fire Rating - **Class A**

Atlantis Energy Offers The Best Roof Warranty in The Solar Industry!

Atlantis' Standard Warranty - 20 Year Ltd. Power Warranty and 25 Year Weather Warranty²



Sullivan Estate, Hawaii. 49 kW System.

¹ Standard Test Conditions (STC): 1000 W/m² irradiance, 25°C temperature, and AM 1.5 spectrum

² Ask dealer for details